

# DURWEN CLAMPS

INNOVATIVE – VERSATILE – DURABLE

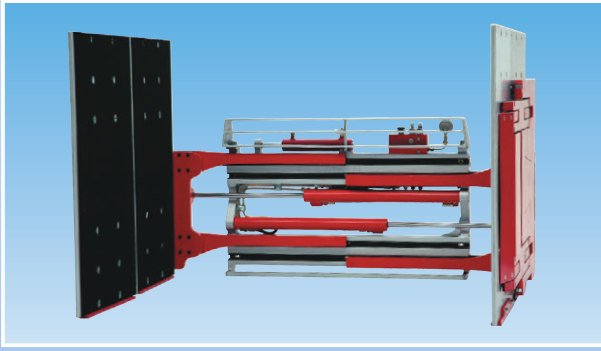


TÜVRheinland®  
**CERT**  
ISO 9001

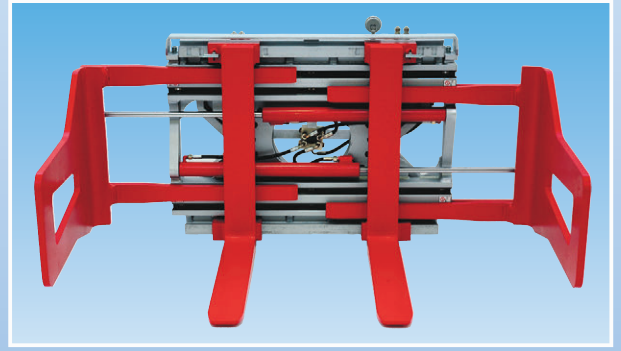




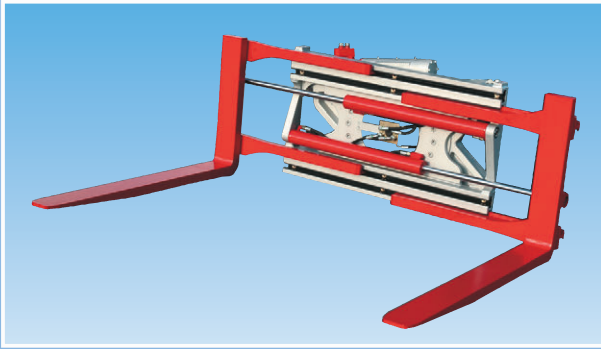
# THE OPTIMISED SOLUTION FOR A LARGE VARIETY OF APPLICATIONS



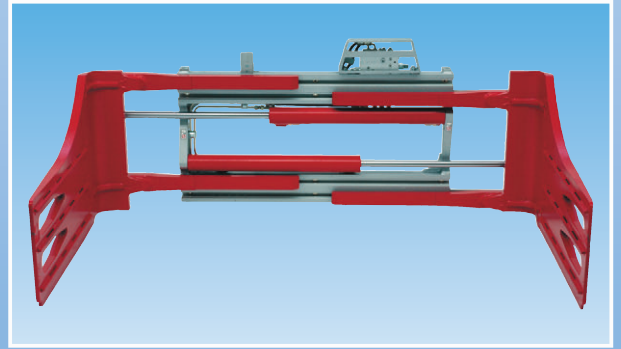
*appliance clamp UKK-PD*



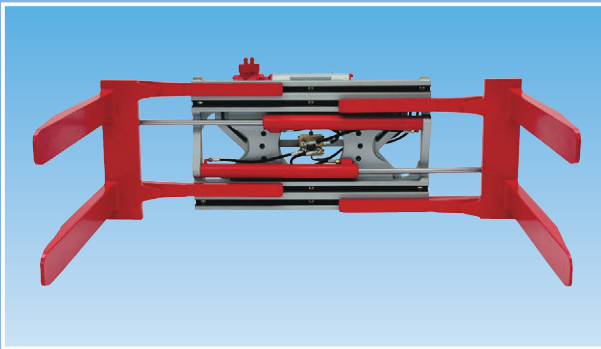
*box discharger DGE, 360°, total rotation*



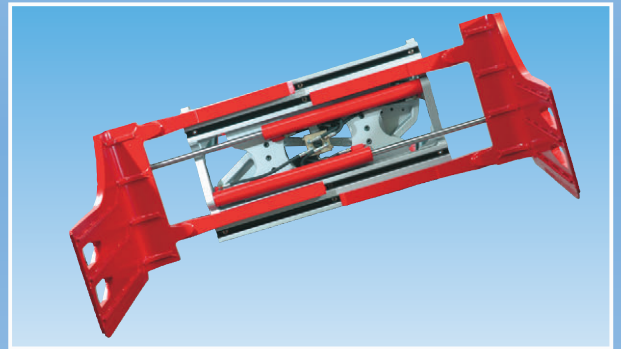
*revolving fork clamp DUZ, 360°*



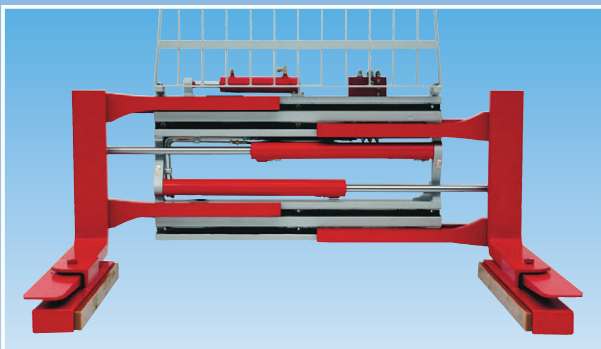
*bale clamp PBK, integral sideshift*



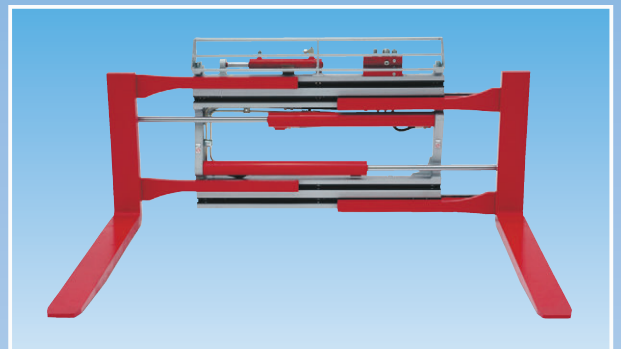
*pallet inverter PWK, 360°, total rotation*



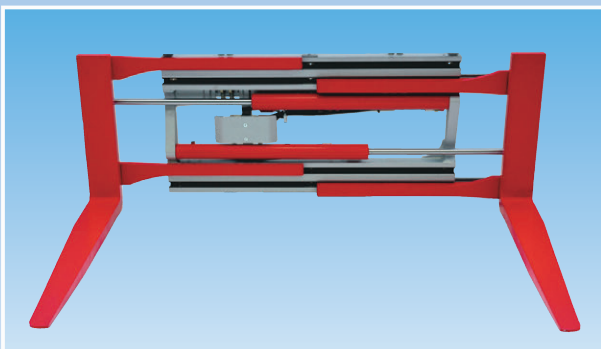
*revolving bale clamp DPBK, 360°, total rotation*



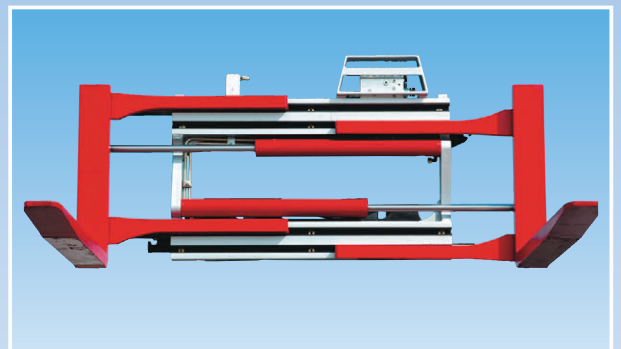
*building material clamp UVP*



*fork clamp PGK-S, constant sideshift*



*harbor clamp PHK-S / PHK-V*



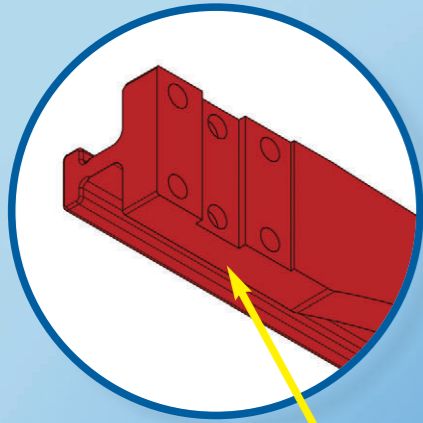
*fork clamp PGK, integral sideshift*

# FORK CLAMP TYPE PGK-S

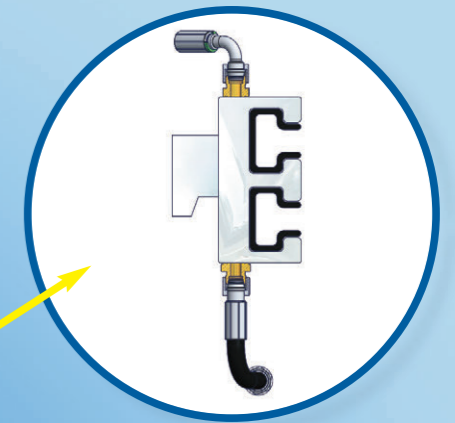
constant sideshift

durable wear parts

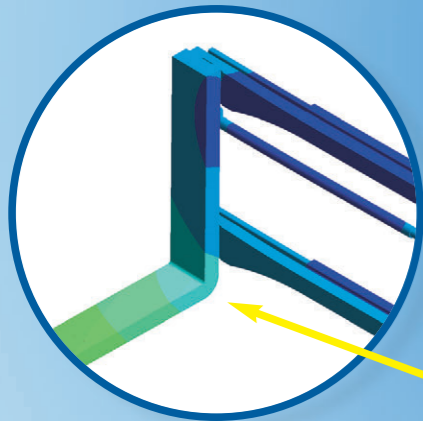
innovative valve technology



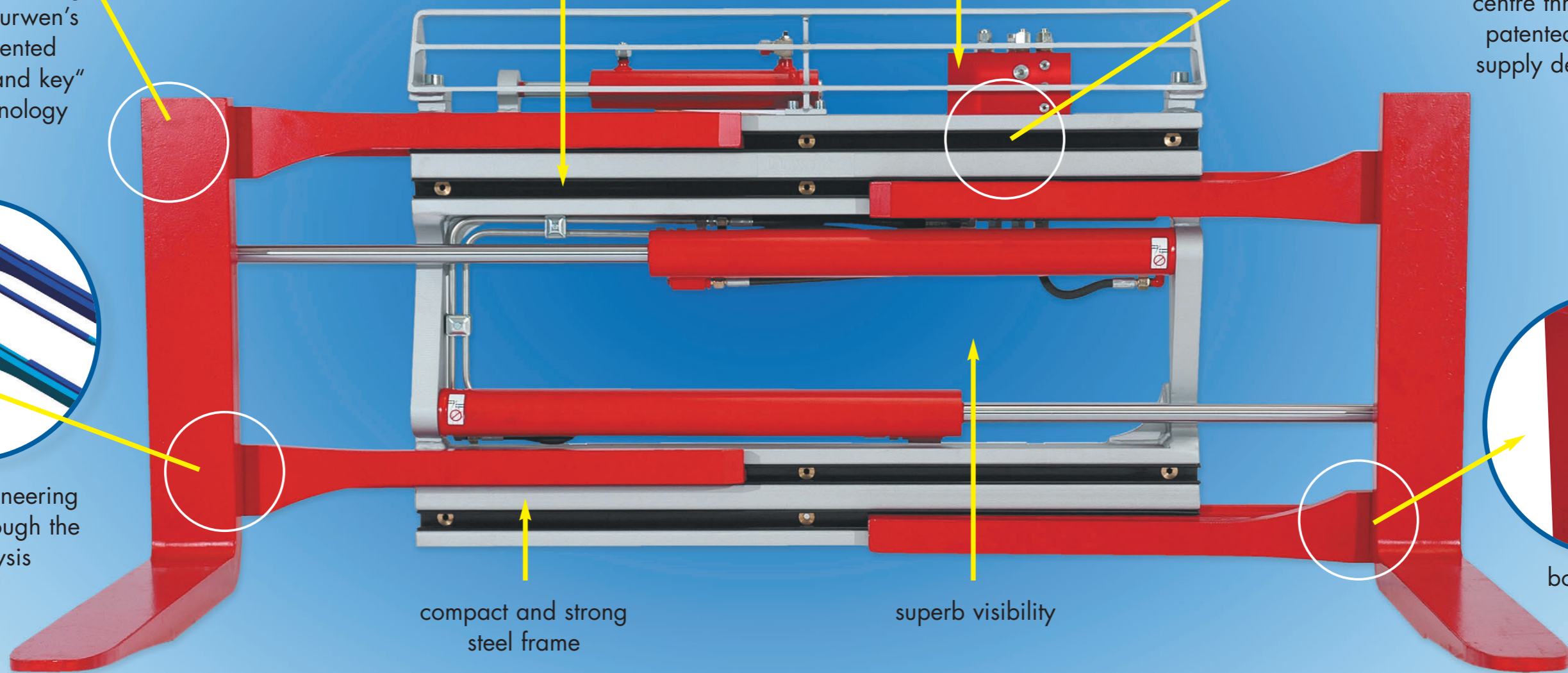
fork mounting via Durwen's patented „slot and key“ technology



reduced lost load centre through patented oil supply design

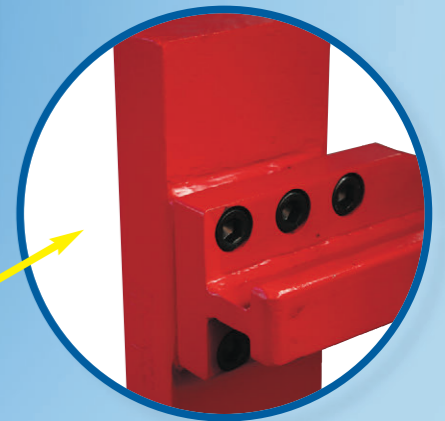


optimised engineering developed through the FEM analysis method



compact and strong steel frame

superb visibility



bolt-on forks

- optimised visibility
- bolt-on forks
- higher residual capacity from reduced lost load centres
- stable construction

- a choice of constant or integral sideshift
- superior lost load centre combined with worm wheel rotation unit (DUZ / DPBK)
- modular design



# REVOLVING FORK CLAMP DUZ

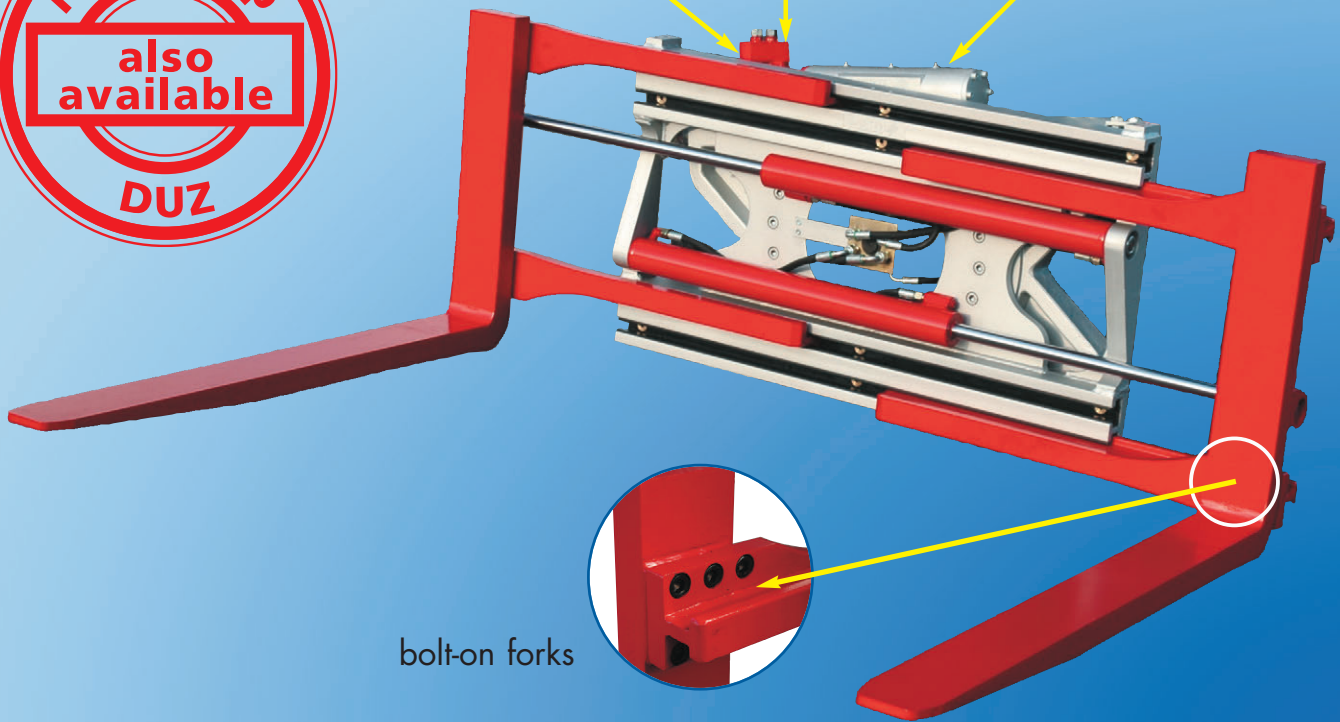
360° continuous rotation



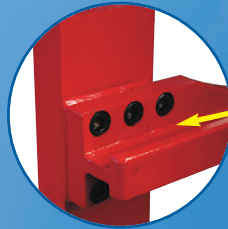
high grade motor

safety valve for rotation

direct drive



bolt-on forks



**The revolving fork clamp DUZ** is a multi purpose clamp with 360° continuous rotation. Loads can be carried on forks or clamped between them. Revolving fork clamps are perfect for emptying containers, boxes, bins etc. or for inverting loads. The unit features bolt on forks and a direct drive for rotation. A perfect combination with your forklift truck.

- Patented designs
- Safety valve for rotation
- Bolt on forks
- Excellent visibility
- Strong steel profiles
- Durwen ServicePlus
- Direct drive by means of worm gear

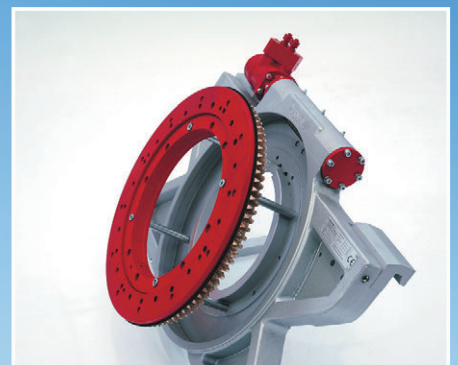
## REVOLVING ATTACHMENTS AT DURWEN ARE FEATURING A DIRECT DRIVE MADE WITH HIGH PRECISION PARTS ONLY



direct drive through worm wheel / worm gear



worm wheel / worm gear / main bearing



direct drive unit

## INNOVATION AWARD

The Durwen T profile clamp range has been recently awarded with the innovation award "SUCESS 2013".

The award is awarded by the ministry of Economy of Rheinland-Pfalz and the Investment and Structural Bank of Rheinland-Pfalz to companies that have launched innovations with a proven significant success on the market only.



## DURWEN SUPPORT WORLDWIDE



- Made in Germany
- Broad product range
- Worldwide support network
- Worldwide shipping

## DSP-TECHNOLOGY IS THE DURWEN SERVICEPLUS PERFORMANCE



DSP gives maximum utilisation with a minimum of maintenance and repair cost.

DSP-Technology allows quick and easy parts replacement by means of bolted modular key components.

### DSP-Technology means:

- many common parts
- reduced maintenance costs
- excellent product service life
- extended maintenance intervals
- wear parts with a first rate service life
- reduced maintenance work
- maximum efficiency



The Durwen ServicePlus package is based upon decades of Expertise - Know How that benefits customers because DSP-Technology is extra profit without extra costs.

DSP-Technology means short, managed maintenance intervals and reasonably priced replacement spare parts.

**DSP-Technology is enhanced profit technology.**



**DURWEN**   
Forklift Attachments

*More than 60 years experience*

Durwen Maschinenbau GmbH  
August-Horch-Straße 5  
D-56637 Plaidt - Germany

Phone: +49 26 32 -70 00 -0  
Fax: +49 26 32 -70 00 -31

export@durwen.de  
www.durwen.de



your partner