



RX 70 Technical Data

Diesel and LPG forklift trucks

RX 70-40

RX 70-45

RX 70-50

RX 70-50/600



This specification sheet to VDI Guidelines 2198 only gives the technical figures for the standard truck.
Different tyres, other masts, additional equipment etc. could give different figures.

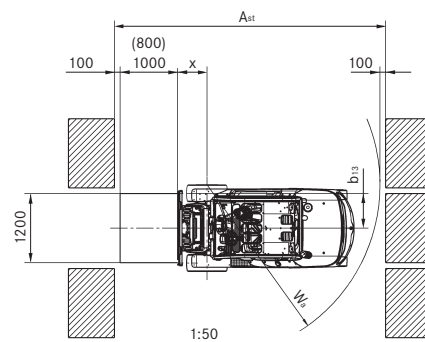
Characteristics	1.1	Manufacturer			STILL GmbH	STILL GmbH	STILL GmbH	STILL GmbH
	1.2	Manufacturer's model designation			RX 70-40	RX 70-40 T	RX 70-45	RX 70-45 T
	1.2.1	Manufacturer's type designation			7331	7335	7332	7336
	1.3	Drive: electric, diesel, petrol, LPG, mains electric			Diesel	LPG	Diesel	LPG
	1.4	Operation: manual, pedestrian, stand-on, rider seated, order picker			Rider seated	Rider seated	Rider seated	Rider seated
	1.5	Rated capacity	Q	kg	4000	4000	4500	4500
	1.6	Load centre	c	mm	500	500	500	500
	1.8	Load distance	x	mm	540	540	540	540
	1.9	Wheel base	y	mm	2005	2005	2005	2005
Weights	2.1	Truck weight		kg	6076	6076	6278	6278
	2.2	Axle load front, with load		kg	8896	8896	9632	9632
	2.2.1	Axle load rear, with load		kg	1180	1180	1146	1146
	2.3	Axle load front, without load		kg	2821	2821	2798	2798
	2.3.1	Axle load rear, without load		kg	3255	3255	3480	3480
Wheels / chassis	3.1	Tyres: solid rubber, Superelastic (SE), pneumatic, Polyurethan			SE	SE	SE	SE
	3.2	Tyres size front			250-15	250-15	28 x 12,5-15	28 x 12,5-15
	3.3	Tyres size rear			250-15	250-15	250-15	250-15
	3.5	Number of wheels front (x = driven)			2x	2x	2x	2x
	3.5.1	Number of wheels rear (x = driven)			2	2	2	2
	3.6	Track width front	b ₁₀	mm	1136	1136	1210	1210
	3.7	Track width rear	b ₁₁	mm	1120	1120	1120	1120
Dimensions	4.1	Tilt mast/fork carriage, forward		°	3	3	3	3
	4.1.1	Tilt mast/fork carriage, back		°	7	7	7	7
	4.2	Closed mast height	h ₁	mm	2400	2400	2400	2400
	4.3	Free lift	h ₂	mm	160	160	160	160
	4.4	Lift	h ₃	mm	3180	3180	3180	3180
	4.5	Extended mast height	h ₄	mm	4187	4187	4187	4187
	4.7	Height over overhead guard (cabin)	h ₆	mm	2320	2320	2300	2300
	4.8	Seat height/stand height rel. to SIP	h ₇	mm	1298	1298	1298	1298
	4.12	Coupling height	h ₁₀	mm	496	496	496	496
	4.19	Overall length	l ₁	mm	4027	4027	4071	4071
	4.20	Length including fork backs	l ₂	mm	3027	3027	3071	3071
	4.21	Overall width	b ₁	mm	1380	1380	1506/1380 ¹	1506/1380 ¹
	4.22	Fork thickness	s	mm	50	50	50	50
	4.22.1	Fork width	e	mm	120	120	120	120
	4.22.2	Fork length	l	mm	1000	1000	1000	1000
	4.23	Fork carriage ISO 2328, class/form A, B			Cl. III, Form A	Cl. III, Form A	Cl. III, Form A	Cl. III, Form A
	4.24	Fork carriage width	b ₃	mm	1310	1310	1310	1310
	4.31	Ground clearance beneath mast, with load	m ₁	mm	140	140	140	140
	4.32	Ground clearance centre wheel base	m ₂	mm	165	165	165	165
	4.33	Aisle width for pallets 1000 x 1200 wide	A _{st}	mm	4401	4401	4441	4441
4.34	Aisle width for pallets 800 x 1200 long	A _{st}	mm	4601	4601	4641	4641	
4.35	Turning radius	W _a	mm	2661	2661	2701	2701	
4.36	Inner turning radius	b ₁₃	mm	737	737	737	737	
Performance	5.1	Speed with load		km/h	21	21	21	21
	5.1.1	Speed without load		km/h	21	21	21	21
	5.2	Lift speed with load		m/s	0,59	0,59	0,50	0,50
	5.2.1	Lift speed without load		m/s	0,59	0,59	0,54	0,54
	5.3	Lowering speed with load		m/s	0,50	0,50	0,50	0,50
	5.3.1	Lowering speed without load		m/s	0,50	0,50	0,50	0,50
	5.5	Drawbar pull with load		N	22230	22230	22180	22180
	5.5.2	Drawbar pull without load		N	20800	20800	21150	21150
	5.7	Gradeability with load		%	22	22	21	21
	5.7.1	Gradeability without load		%	35	33	34	32
	5.9	Acceleration time with load		s	5,2	5,1	5,5	5,4
5.9.1	Acceleration time without load		s	4,7	4,6	4,8	4,7	
5.10	Service brake			Electr./mech.	Electr./mech.	Electr./mech.	Electr./mech.	
IC engine	7.1	Engine manufacturer			Deutz	VW	Deutz	VW
	7.1.1	Type			TCD 2,9 L4	CKPA	TCD 2,9 L4	CKPA
	7.2	Engine performance in accordance with ISO 1585		kW	54	55	54	55
	7.3	Nominal speed		1/min	2200	2200	2200	2200
	7.4	No. of cylinders			4	6	4	6
	7.4.1	Displacement		cm ³	2900	3600	2900	3600
	7.5	Fuel consumption in VDI cycle		l/h kg/h	4,1	3,8	4,3	4,0
	7.9	On-board voltage		V	12	12	12	12
8.1	Drive type			Diesel-electric	Diesel-electric	Diesel-electric	Diesel-electric	
Miscellaneous	10.1	Hydraulic pressure for attachments		bar	250	250	250	250
	10.2	Oil volume for attachments		l/min	30	30	30	30
	10.4	Volume fuel tank		l/kg	56	22	56	22
	10.7	Sound pressure level L _{PAZ} ² (driver's seat)		dB (A)	<75	<76	<75	<76
	10.7.1	Sound power level LWAZ (work cycle)		dB (A)	<98	<99	<98	<99
		Body vibrations ³ in accordance with EN 13059		m/s ²	0,47	0,47	0,47	0,47
	10.8	Trailer coupling, type/DIN			Pin	Pin	Pin	Pin

¹ With reduced rated capacity and/or limited lift height. // ² With cabin, higher levels without cabin. // ³ With standard driver's seat.

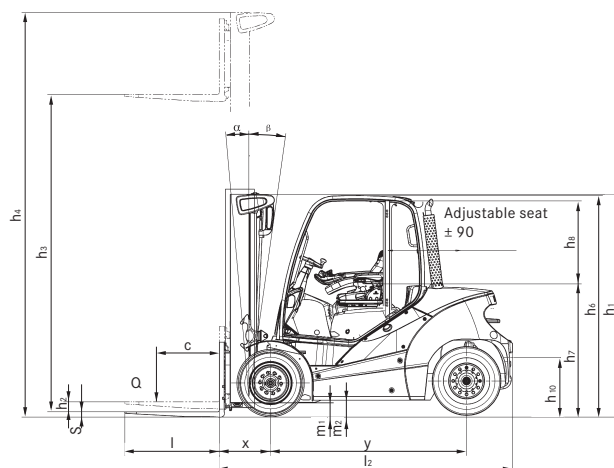
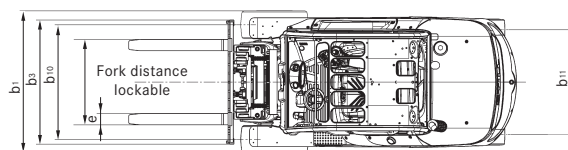
This specification sheet to VDI Guidelines 2198 only gives the technical figures for the standard truck.
Different tyres, other masts, additional equipment etc. could give different figures.

Characteristics	1.1	Manufacturer			STILL GmbH	STILL GmbH	STILL GmbH	STILL GmbH
	1.2	Manufacturer's model designation			RX 70-50	RX 70-50 T	RX 70-50/600	RX 70-50/600 T
	1.2.1	Manufacturer's type designation			7333	7337	7334	7338
	1.3	Drive: electric, diesel, petrol, LPG, mains electric			Diesel	LPG	Diesel	LPG
	1.4	Operation: manual, pedestrian, stand-on, rider seated, order picker			Rider seated	Rider seated	Rider seated	Rider seated
	1.5	Rated capacity	Q	kg	4999	4999	5000	5000
	1.6	Load centre	c	mm	500	500	600	600
	1.8	Load distance	x	mm	540	540	550	550
	1.9	Wheel base	y	mm	2070	2070	2125	2125
Weights	2.1	Truck weight			kg	6590	6590	7174
	2.2	Axle load front, with load			kg	10468	10468	11014
	2.2.1	Axle load rear, with load			kg	1122	1122	1160
	2.3	Axle load front, without load			kg	2955	2955	3308
	2.3.1	Axle load rear, without load			kg	3635	3635	3866
Wheels / chassis	3.1	Tyres: solid rubber, Superelastic (SE), pneumatic, Polyurethan			SE	SE	SE	SE
	3.2	Tyres size front			28 x 12,5-15	28 x 12,5-15	28 x 12,5-15	28 x 12,5-15
	3.3	Tyres size rear			250-15	250-15	250-15	250-15
	3.5	Number of wheels front (x = driven)			2x	2x	2x	2x
	3.5.1	Number of wheels rear (x = driven)			2	2	2	2
	3.6	Track width front	b ₁₀	mm	1210	1210	1210	1210
	3.7	Track width rear	b ₁₁	mm	1120	1120	1120	1120
Dimensions	4.1	Tilt mast/fork carriage, forward			°	3	3	3
	4.1.1	Tilt mast/fork carriage, back			°	7	7	7
	4.2	Closed mast height	h ₁	mm	2400	2400	2400	2400
	4.3	Free lift	h ₂	mm	160	160	160	160
	4.4	Lift	h ₃	mm	3180	3180	2980	2980
	4.5	Extended mast height	h ₄	mm	4187	4187	4137	4137
	4.7	Height over overhead guard (cabin)	h ₆	mm	2300	2300	2300	2300
	4.8	Seat height/stand height rel. to SIP	h ₇	mm	1298	1298	1298	1298
	4.12	Coupling height	h ₁₀	mm	496	496	496	496
	4.19	Overall length	l ₁	mm	4098	4098	4368	4368
	4.20	Length including fork backs	l ₂	mm	3098	3098	3168	3168
	4.21	Overall width	b ₁	mm	1506/1380 ¹	1506/1380 ¹	1506/1380 ¹	1506/1380 ¹
	4.22	Fork thickness	s	mm	50	50	50	50
	4.22.1	Fork width	e	mm	120	120	150	150
	4.22.2	Fork length	l	mm	1000	1000	1200	1200
	4.23	Fork carriage ISO 2328, class/form A, B			Cl. III, Form A	Cl. III, Form A	Cl. III, Form A	Cl. III, Form A
	4.24	Fork carriage width	b ₃	mm	1310	1310	1310	1310
	4.31	Ground clearance beneath mast, with load	m ₁	mm	140	140	140	140
	4.32	Ground clearance centre wheel base	m ₂	mm	165	165	165	165
	4.33	Aisle width for pallets 1000 x 1200 wide	A _{st}	mm	4470	4470	4539	4539
4.34	Aisle width for pallets 800 x 1200 long	A _{st}	mm	4670	4670	4739	4739	
4.35	Turning radius	W _a	mm	2730	2730	2789	2789	
4.36	Inner turning radius	b ₁₃	mm	746	746	754	754	
Performance	5.1	Speed with load		km/h	21	21	21	21
	5.1.1	Speed without load		km/h	21	21	21	21
	5.2	Lift speed with load		m/s	0,50	0,50	0,50	0,50
	5.2.1	Lift speed without load		m/s	0,54	0,54	0,54	0,54
	5.3	Lowering speed with load		m/s	0,50	0,50	0,50	0,50
	5.3.1	Lowering speed without load		m/s	0,50	0,50	0,50	0,50
	5.5	Drawbar pull with load		N	22110	22110	22040	22040
	5.5.2	Drawbar pull without load		N	21720	21720	21940	21940
	5.7	Gradeability with load		%	20	20	19	19
	5.7.1	Gradeability without load		%	33	31	32	30
	5.9	Acceleration time with load		s	5,9	5,6	6,2	5,8
5.9.1	Acceleration time without load		s	4,9	4,8	5,0	4,9	
5.10	Service brake			Electr./mech.	Electr./mech.	Electr./mech.	Electr./mech.	
IC engine	7.1	Engine manufacturer			Deutz	VW	Deutz	VW
	7.1.1	Type			TCD 2,9 L4	CKPA	TCD 2,9 L4	CKPA
	7.2	Engine performance in accordance with ISO 1585			kW	54	55	54
	7.3	Nominal speed			1/min	2200	2200	2200
	7.4	No. of cylinders				4	6	4
	7.4.1	Displacement			cm ³	2900	3600	2900
	7.5	Fuel consumption in VDI cycle			l/h kg/h	4,6	4,3	4,8
	7.9	On-board voltage			V	12	12	12
8.1	Drive type				Diesel-electric	Diesel-electric	Diesel-electric	
Miscellaneous	10.1	Hydraulic pressure for attachments			bar	250	250	250
	10.2	Oil volume for attachments			l/min	30	30	30
	10.4	Volume fuel tank			l/kg	56	22	56
	10.7	Sound pressure level L _{PAZ} ² (driver's seat)			dB (A)	<75	<76	<75
	10.7.1	Sound power level LWAZ (work cycle)			dB (A)	<98	<99	<98
		Body vibrations ³ in accordance with EN 13059			m/s ²	0,47	0,47	0,47
	10.8	Trailer coupling, type/DIN				Pin	Pin	Pin

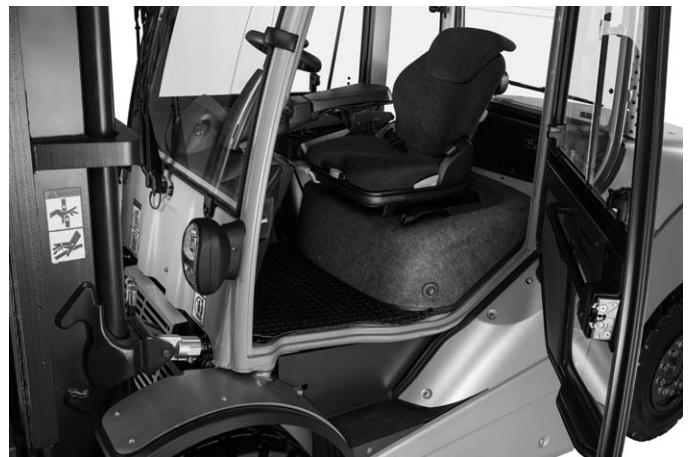
¹ With reduced rated capacity and/or limited lift height. // ² With cabin, higher levels without cabin. // ³ With standard driver's seat.



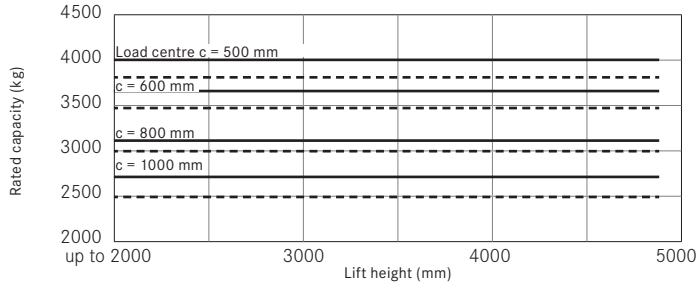
Dimensions relate to vertical mast.



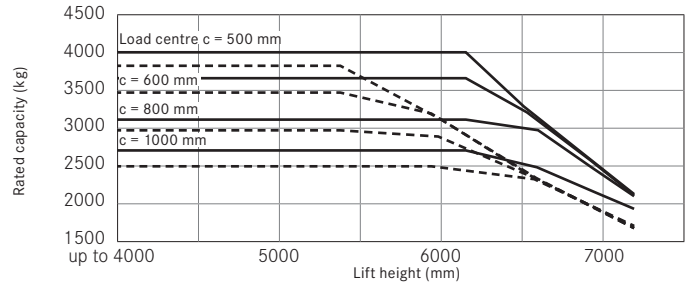
				Telescopic mast	Triplex mast
RX 70-40	Rated lift	h ₃	mm	2980-4880	4030-7180
	Closed height	h ₁	mm	2300-3250	2150-3200
	Free lift	h ₂	mm	160	1390-2440
	Max. height	h ₄	mm	3762-5662	4835-7985
	Tyres front			250-15 (7.00-15 twin)	
	Tyres rear			250-15	
	Track	v	mm	1136 (1364 twin)	
	Track	h	mm	1120	
	Max. width	B	mm	1380 (1769 twin)	
RX 70-45	Rated lift	h ₃	mm	2980-4880	4030-7180
	Closed height	h ₁	mm	2300-3250	2150-3200
	Free lift	h ₂	mm	160	1238-2440
	Max. height	h ₄	mm	3987-5887	4987-8137
	Tyres front			28 x 12,5-15 (7.00-15 twin)	
	Tyres rear			250-15	
	Track	v	mm	1210 (1364 twin)	
	Track	h	mm	1120	
	Max. width	B	mm	1506 (1769 twin)	
RX 70-50	Rated lift	h ₃	mm	2980-4880	4030-7180
	Closed height	h ₁	mm	2300-3250	2150-3200
	Free lift	h ₂	mm	160	1238-2440
	Max. height	h ₄	mm	3987-5887	4987-8137
	Tyres front			28 x 12,5-15 (7.00-15 twin)	
	Tyres rear			250-15	
	Track	v	mm	1210 (1364 twin)	
	Track	h	mm	1120	
	Max. width	B	mm	1506 (1769 twin)	
RX 70-50/600	Rated lift	h ₃	mm	2780-4680	3730-6880
	Closed height	h ₁	mm	2300-3250	2150-3200
	Free lift	h ₂	mm	160	1238-2440
	Max. height	h ₄	mm	3887-5787	4795-7945
	Tyres front			28 x 12,5-15 (7.00-15 twin)	
	Tyres rear			250-15	
	Track	v	mm	1210 (1364 twin)	
	Track	h	mm	1120	
	Max. width	B	mm	1506 (1769 twin)	



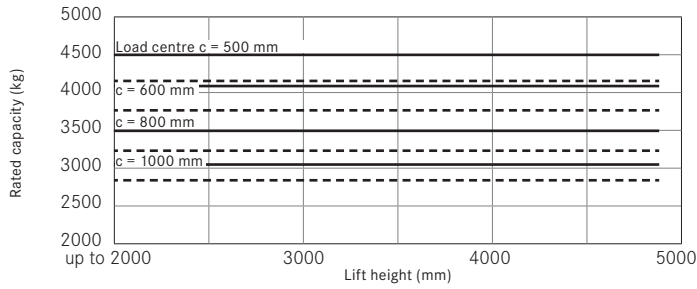
Rated capacities RX 70-40 telescopic mast - single SE tyres



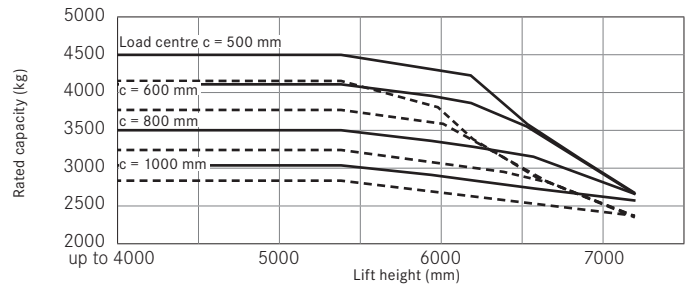
Rated capacities RX 70-40 triplex mast- single SE tyres



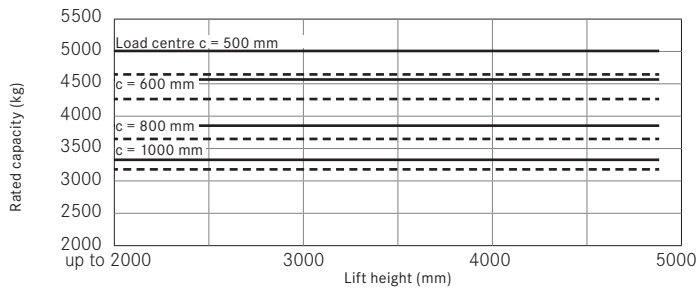
Rated capacities RX 70-45 telescopic mast - single SE tyres



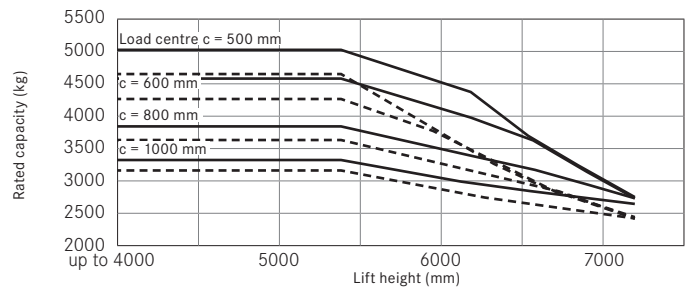
Rated capacities RX 70-45 triplex mast- single SE tyres



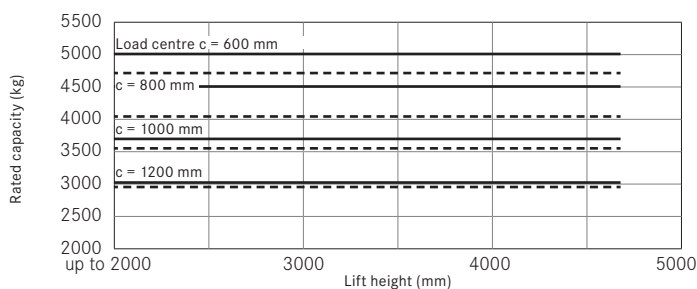
Rated capacities RX 70-50 telescopic mast - single SE tyres



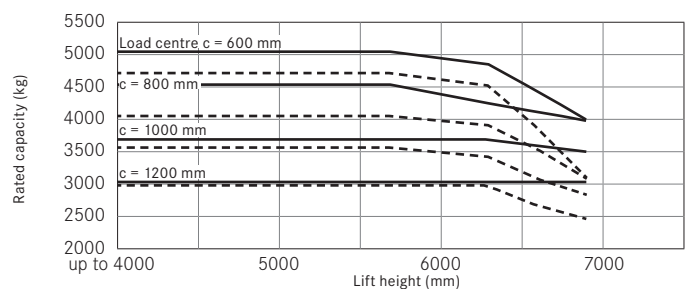
Rated capacities RX 70-50 triplex mast- single SE tyres



Residual capacity RX 70-50/600 tele-mast single SE tyres



Rated capacities RX 70-50/600 triplex mast - single SE tyres



— With standard forks - - - With integrated side shift and standard forks
 The values indicated may vary depending on the truck equipment

Overall concept:

Four-wheel counter balance forklift truck with front wheel drive and internal combustion engine.

Drive

- Diesel-electric drive with hybrid technology.
- Diesel/LPG engine with directly connected rotary current generator.
- Drive axle with capsulated rotary current drive motor for high torque moment at low motor speed, temperature independent.
- Wear free, oil immersed lamella-type brake.
- Compact design and extreme agility combined with sensitive drive and lift control for optimum work performance.

Ergonomics

- Large workspace for the driver with high comfort due to optimum arrangement of controls and individual adaptation of the cabin.
- Excellent visibility to all sides.

Safety

- Low centre of gravity and free floating steering axle for maximum stability.
- Outstanding driving stability when cornering – no need for electronic assistants.
- High residual capacities also for large lift heights.

Economy

- Low operation costs due to low fuel costs in all work cycles and long maintenance intervals.
- Optimum tuning of drive and hydraulic controls for maximum performance or best efficiency.
- STILL ProActive – reduced downtimes, fast fault detection, transmission of error codes to the STILL service centre.

Environment

- Lowest CO₂ emission.
- Exhaust gasses of the engines are far below the limit values required by EU non-road directive 97/68/EG (2004/26/EG) EU level 3b/EPA Tier 4i.

Service

- Shortest maintenance interval 1 000 hours of operation.
- Fast fault identification in case of damage by computer assisted diagnostics.
- Optimum service access thanks to large access holes at the sides.

Standard equipment:

Drive

- Modern, maintenance friendly DEUTZ industrial engine complies to the exhaust regulations only with oxidation catalyst without particle filter.
- Volkswagen LPG engine standard with controlled catalyst.

Driver's workspace

- Low, well visible and large access step.
- Long hand grip on overhead guard for different gripping heights.
- Large foot well with vibration dampening floor mat and car-style pedals.
- Multiple adjustments for the modern seat with high comfort and excellent suspension.
- Drive control by car-style single pedal control.
- Operation of hydraulic functions with STILL mini levers.
- Hydraulic power steering with small steering wheel, ergonomically located off-centre to the left.
- Narrow, adjustable steering column without obstructing displays.
- Central control and display unit in the field of vision of the driver.
- Large storage compartments on the right side and in the rear of the driver's compartment.

Parameters to control driving characteristics

- Acceleration and braking of the truck with the drive pedal.
- Five drive levels can be set by the driver.
- Individual adjustment of speed, acceleration and braking for each drive level.
- Intelligent drive control with reduction of engine speed after acceleration is completed.

Mast and hydraulics

- Wide open masts; telescopic and triplex versions available.
- Demand governed adjustable hydraulic displacement pump for lift and steering hydraulics.
- Hydraulics and drive operate independently, therefore no inching function is needed.

Electrical system

- Modern CAN bus technology with integrated on-board diagnostics.
- 12-Volt electric system.

Additional equipment and options*:

Truck equipment

- Low version for operation in containers or high version for applications in the beverage industry, for example.
- Various Superelastic or pneumatic tyre types.
- Mud guard extensions to protect the load and the attachment from dirt.
- Trailer couplings with various coupling heights.

Engine

- LPG version alternatively with gas bottles or gas tank.
- Regenerative diesel soot particle filter integrated into the counter weight.
- Additional air filter for operation in atmospheres with dust or fibres.
- Adjustable engine switch-off.
- Engine pre-heating for operation in cold regions.

Cabin equipment

- Modular cabin design with wind screen for front, rear and roof; rear screen heater.
- Doors hinged at the rear with large opening angles and two-way sliding windows.
- Water operated heater or integrated heater/air condition alternatively.
- Parallel windscreen wipers for large field of vision on front and rear screen, with washer system by standard.
- Roof screen wiper.
- Unbreakable interior and exterior rear view mirrors.
- Sun blind and sun visor.
- Writing pad with paper clip (detachable).
- Comfort seats with textile cover, air suspension, heating, lumbar support, extended backrest.
- Swivel plate for seat to turn by 20° when reversing.
- Horizontal suspension plate to minimise body vibrations.
- Radio/MP3 player integrated in the interior lining of the overhead guard.
- Restraint system with bar doors.
- STILL EasyBelt – the intelligent way to assist fastening the seat belt.
- Protective roof grid.

Controls

- Drive control by twin pedals.
- Joystick or Fingertipp controls for hydraulic functions.

Electric devices and drive control

- Speed limiter, setting as requested by driver.
- Cruise control.
- Car-style lighting system, approved for public road traffic.
- Halogen or LED spot lights front and/or rear, mounted on the overhead guard, also available as twin lights to improve lighting of the area of work.
- Hazard warning and signaling lights.
- STILL Safety Light – blue dot of light on the travel path when reversing to warn pedestrians of the truck approaching.
- Driver assistance: seat belt monitor, speed reduction for lifted loads and when cornering.
- Components of the Material flow Management System (MMS).
- FleetManager™ – access authorisation, analysis of truck data and accident recorder.

Mast and hydraulics

- Additional hydraulic functions to operate attachments.
- Various fork carriage widths and fork lengths.
- Attachments to suit the handled goods.
- Buffer oil tank to dampen jerks from the hydraulics.
- STILL load measuring system with integrated display and totalling function.
- Automatic mast upright setting with progressive stop at end positions.

Special equipment

- Special equipment versions for operation in particularly difficult applications, e. g. in foundries or cold environmental temperatures.

Blue-Q energy optimisation

- Activate Blue-Q energy saving mode at the push of a button.
- Energy saving due to intelligent optimisation of the drive characteristics without impairing the work process.
- Intelligently switches off electrical consumers.
- A saving in energy consumption of up to 10% depending on the application and the truck's equipment.

*Standard or optional equipment.



Your contact

STILL GmbH
Berzeliusstraße 10
D-22113 Hamburg
Telephone: +49 (0)40/73 39-20 00
Telefax: +49 (0)40/73 39-20 01
info@still.de

For further information please visit:
www.still.eu

STILL Materials Handling Ltd.
Aston Way, Leyland
Lancashire PR26 7UX
Telephone: +44 (0)1772 644300
Telefax: +44 (0)1772 644303
info@still.co.uk

For further information please visit:
www.still.co.uk

